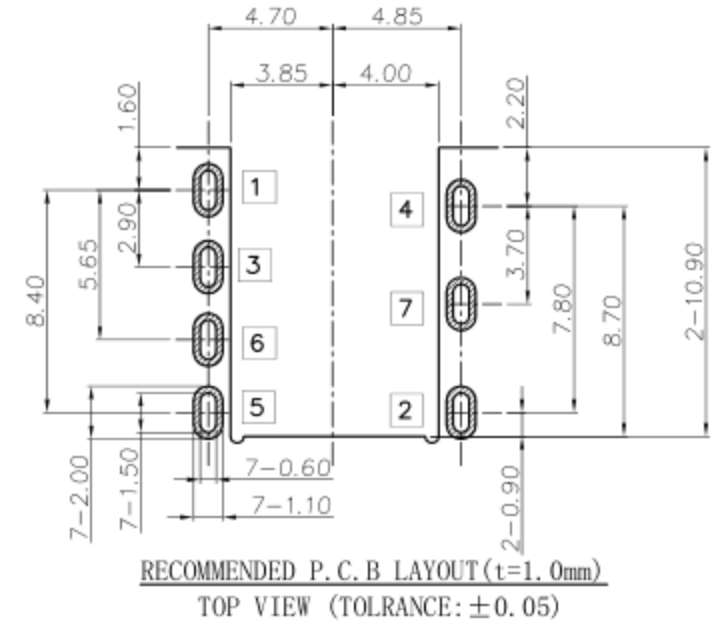
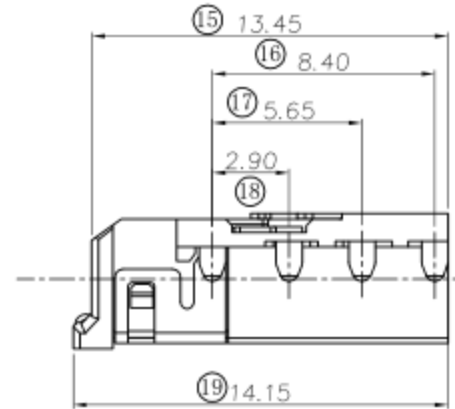
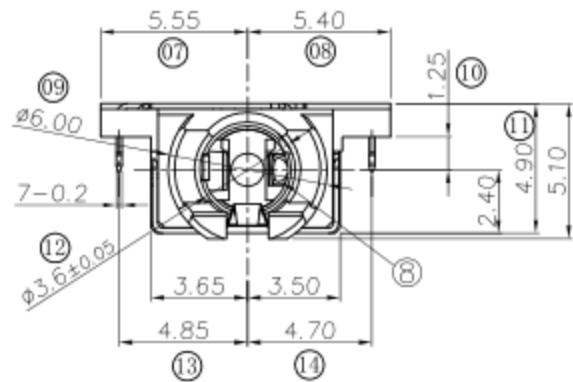
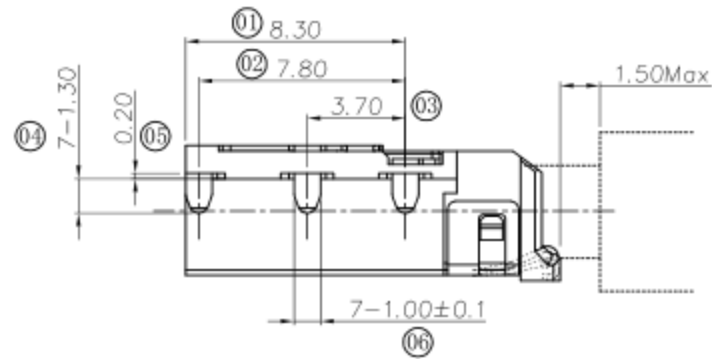
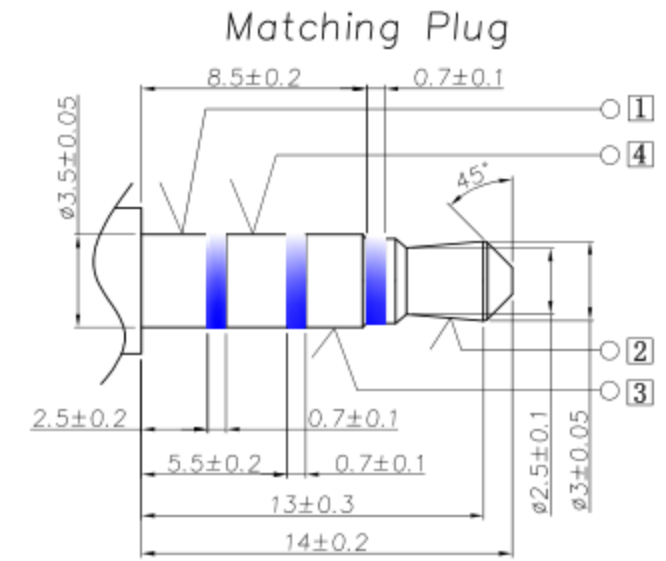
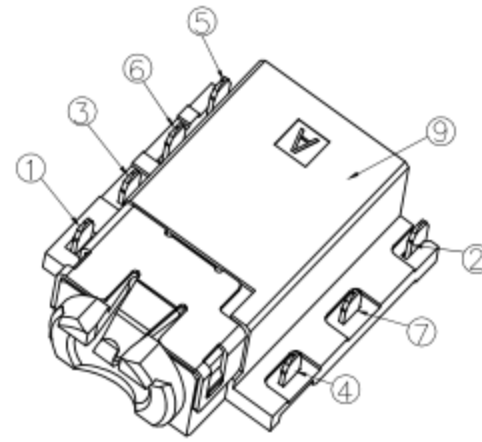
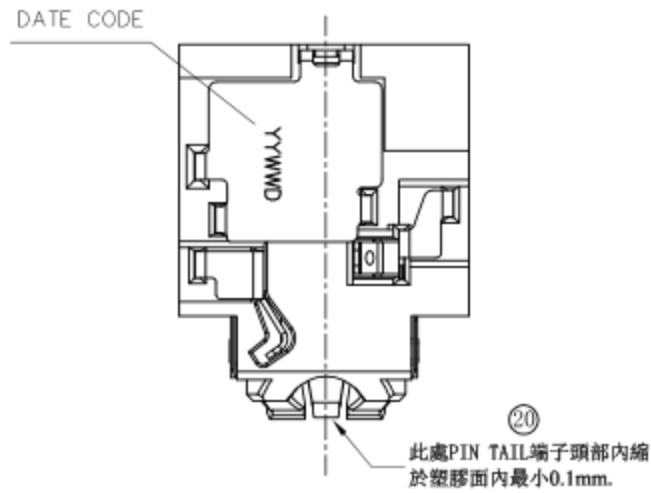


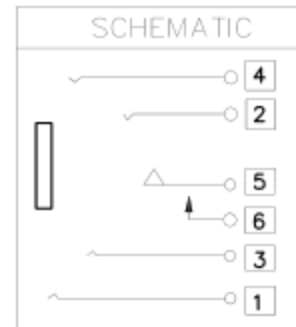
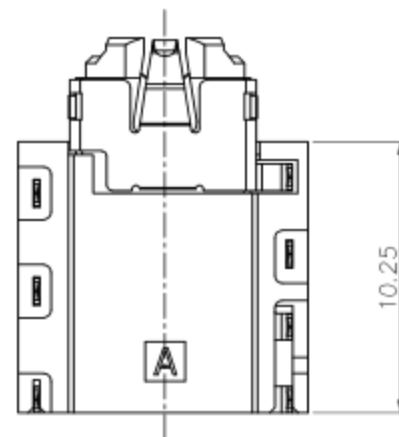
MODEL NO. :
PJR-D31580-ABK7AS0*L-RH
(1) (2)(3) (4)(5)(6)

- (1) Series no.
- (2) Schematic type: A
- (3) Housing color:
BK7=Black
- (4) Terminal plating:
AS02=Gold Flash
AS03=Gold 3u"
AS05=Gold 15u"
AS06=Gold 30u"
- (5) Packing mode:L=Reel packing
- (6) Environmental requirements:
RH=RoHS 2.0 + Halogen Free



SPECIFICATION:

1. Electrical characteristics
 - 1-1. Current rating: DC 0.5A max.
 - 1-2. Voltage rating: DC 30V.
 - 1-3. Contact resistance: 50mΩ max.
 - 1-4. Insulation resistance: 100MΩ min. at 500V DC.
 - 1-5. Withstanding voltage: 500V AC for 1 minute.
2. Mechanical characteristics
 - 2-1. Life test: 5000 cycles min,
 - 2-2. Mating force: 3~30N,
Unmating force: 3~30N.



NO.	DESCRIPTION	QTY	MATERIAL	REMARK
9	Housing	1	PA10T R630NH UL94 V-0	Black
8	Insulator	1	PA10T R630NH UL94 V-0	Black
7	Shell	1	C5210-EH, 0.20t	Nickel Plating
6	Shunt terminal [6]	1	C5210-EH, 0.20t	Gold Flash On Contact And Solder Tail Area, Nickel 50u" UnderPlated
5	Transfer Spring [5]	1	C5210-EH, 0.20t	Gold(See Table) On Contact Area,
4	Ring spring [4]	1	C5210-EH, 0.20t	Matte Tin 80u" Plating on Solder Tail Area
3	Ring spring [3]	1	C5210-EH, 0.20t	All over 50u" Nickel
2	Tip spring [2]	1	C5210-EH, 0.20t	
1	Earth spring [1]	1	C5210-EH, 0.20t	

ECN NO.	REV	DATE	DESCRIPTION	CHANGE	APPRO.	GENERAL TOLERANCE UNLESS OTHERWISE NOTED	SCALE: 1:1	UNIT:mm	A4	SHEET: 1 of 1
	A-0	2020. 11. 16	NEW	罗振强	刘伟	Angle ±2° .x ±0.30 .xx ±0.25 .xxx ±0.20	DESIGN 罗振强 2020. 11. 16			

东莞市高迪电子有限公司

FORMAL DRAWING	TITLE:	φ3.5mm PHONE JACK
	MODEL NO.	PJR-D31580-ABK7AS0*L-RH
	FILE NO.	Q/DY. QW-001A-0725